



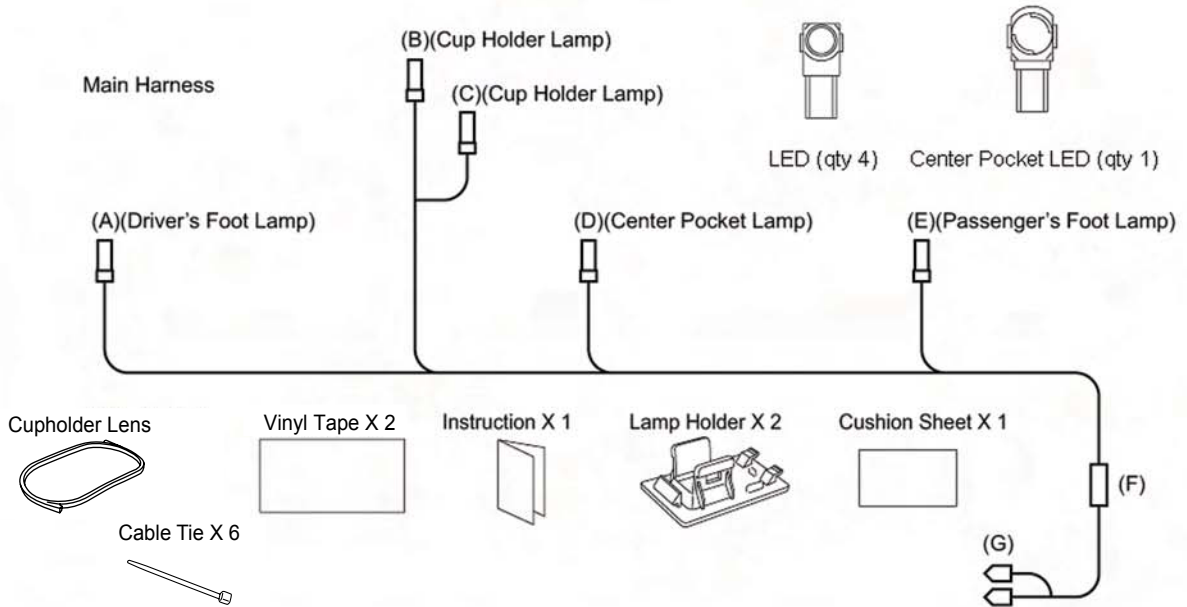
SUBARU

PART NUMBER : H7010AJ100

INSTALLATION INSTRUCTIONS

DESCRIPTION : **INTERIOR ILLUMINATION KIT,
LEGACY / OUTBACK**

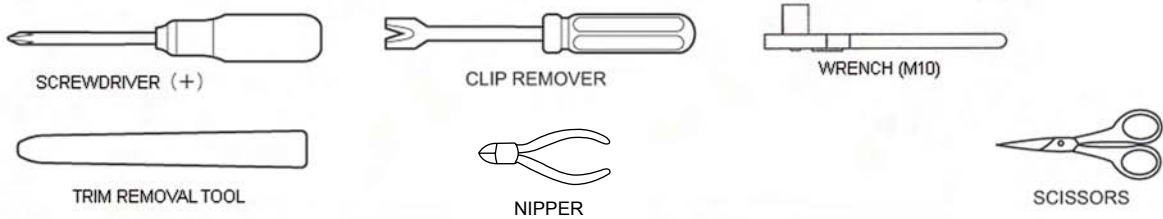
KIT CONTENTS :



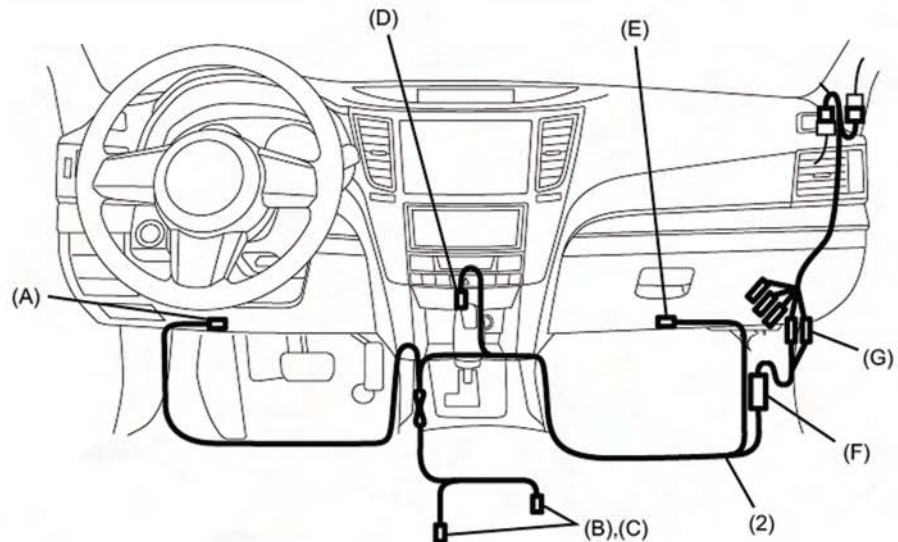
KIT REQUIRED :

H0070AJ000 ROOF CORD ADAPTER (SOLD SEPARATELY)

TOOLS REQUIRED :



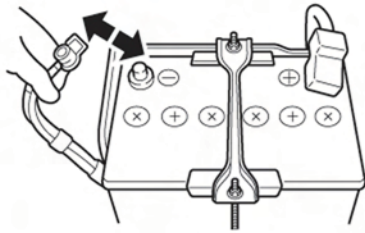
Overview



1

Preparation

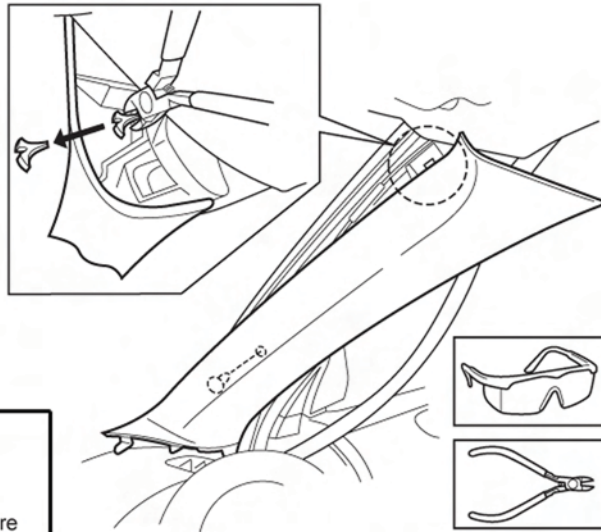
Disconnect battery



2

Roof Adapter Harness Installation

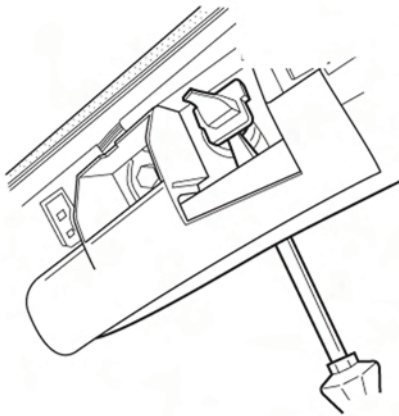
Remove passenger side A-pillar



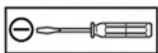
3

!

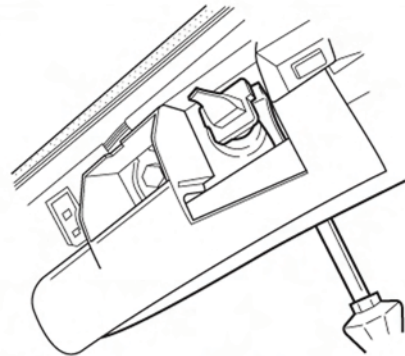
CAUTION: Use care when performing the following steps to avoid damage to the curtain airbag. If the airbag is damaged, it must be replaced.



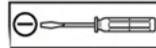
- 1. Slide the flat blade screw driver underneath the vehicle's airbag and between the clip and the vehicle's body as shown above.
- 2. Twist the flat blade screwdriver until you hear a "click" sound, indicating the release of the lower side snap.



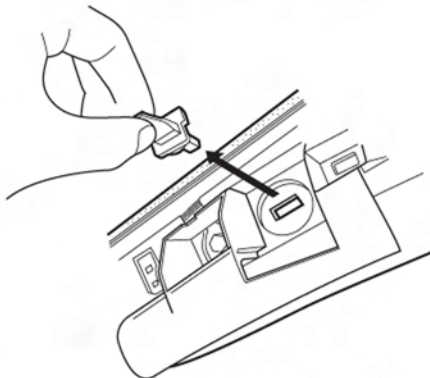
4



- 3. Slide the flat blade screw driver further along the side of the clip as shown above.
- 4. Twist the flat blade screwdriver until you hear the "click" sound, indicating the release of the upper side snap.



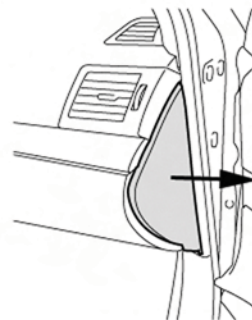
5



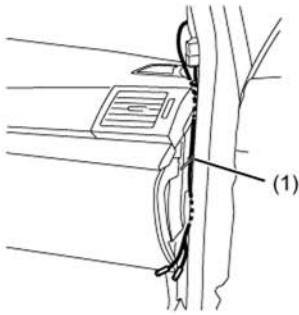
- 5. Remove the clip from the vehicle's body. The clip will remove easier if it is twisted as it is pulled.
- 6. Inspect the white protective non-woven fabric of the curtain airbag. If the fabric is damaged, indicated by the visibility of the pink airbag module cloth, the curtain airbag assembly must be replaced.



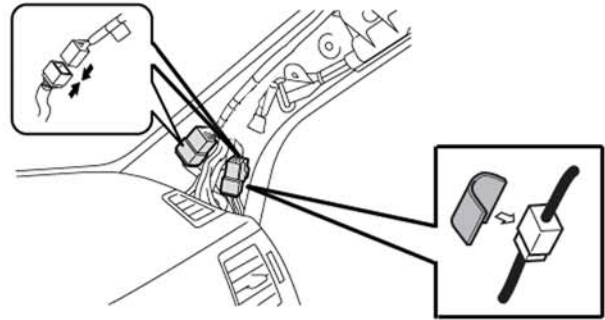
6



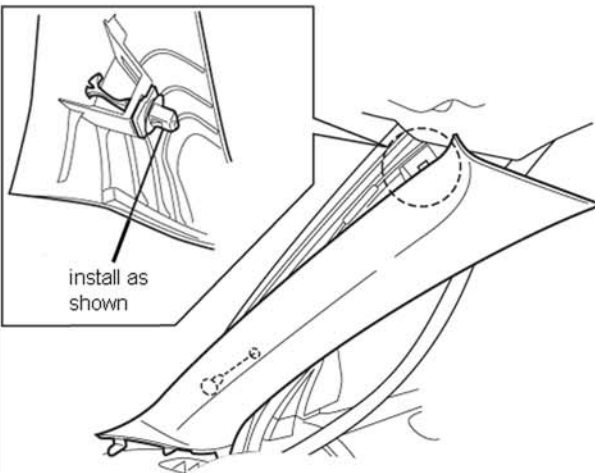
Remove instrument panel cover as shown (pull).

7

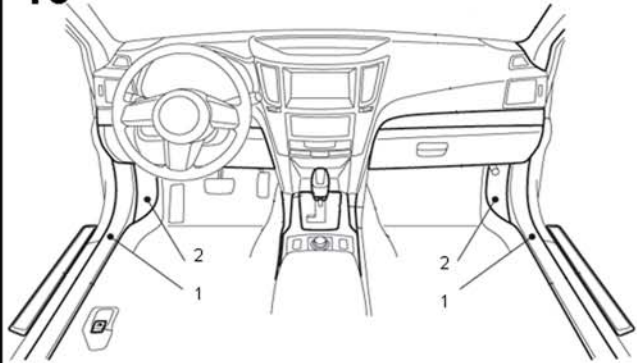
Route Roof Adapter Harness as shown.

8

Disconnect OE connectors, connect the Roof Adapter Harness, and position connectors as shown. Wrap indicated connector in foam tape (included in Roof Adapter Harness Kit).

9

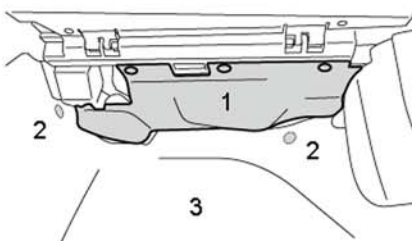
Reinstall passenger side A pillar cover as shown. Make sure to use a new clip (included in the Roof Adapter Harness Kit). Install clip exactly as shown. Ensure that the clip is properly engaged when replacing the A pillar cover.

10

1. Remove the inner side sill plate covers (lift flat surface straight up, and then pull back towards the rear of the vehicle).
2. Remove the inner panel covers (remove 1 fastener, then pull straight back towards the rear of the vehicle to disengage two clips).

11

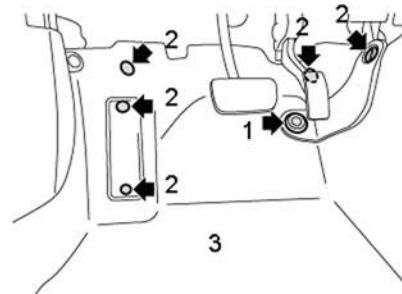
Passenger side footwell



1. Remove cover under glovebox (3 fasteners)
2. Remove two carpet fasteners.
3. Lift carpet up and peel back towards the passenger seat.

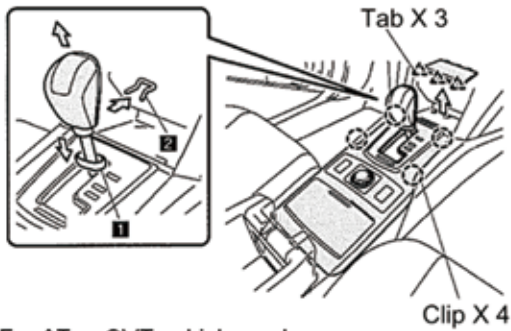
12

Driver side footwell



1. Carefully unscrew accelerator pedal stopper.
2. Remove carpet clips.
3. Lift carpet up and peel back towards the driver seat.

13



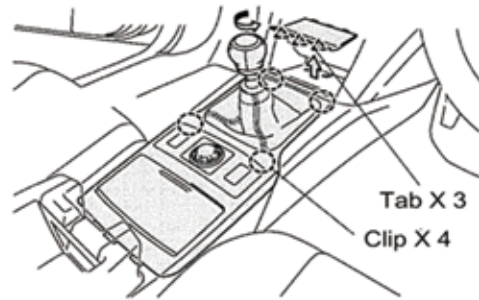
For AT or CVT vehicles only:

Remove shift knob as shown.

Remove rubber liner from lower storage pocket.

Remove shifter trim (lift straight up). Disconnect harnesses from shifter trim, if applicable.

14



For 6MT vehicles only:

Remove shift knob (unscrew and separate from shift boot).

Remove rubber liner from lower storage pocket.

Remove shifter trim (lift straight up). Disconnect harness from shifter trim, if applicable.

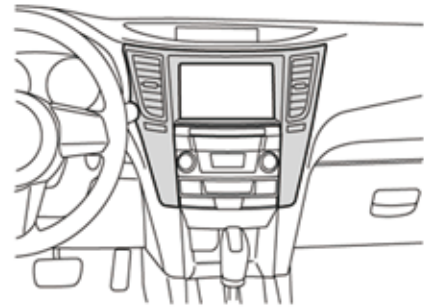
15

Remove a cover from each side of the center console.

They are secured with clips and 2 screws apiece.



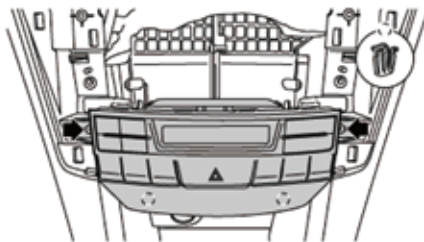
16



Remove the center stack faceplate.

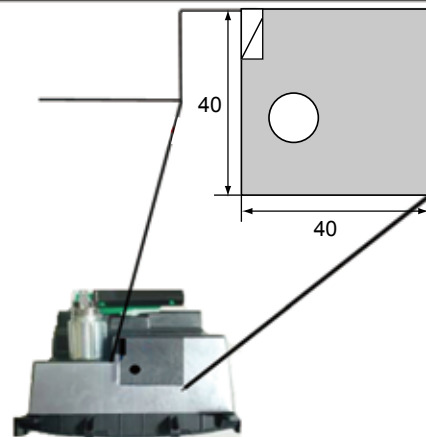
(Pull straight out to disengage clips.)

17



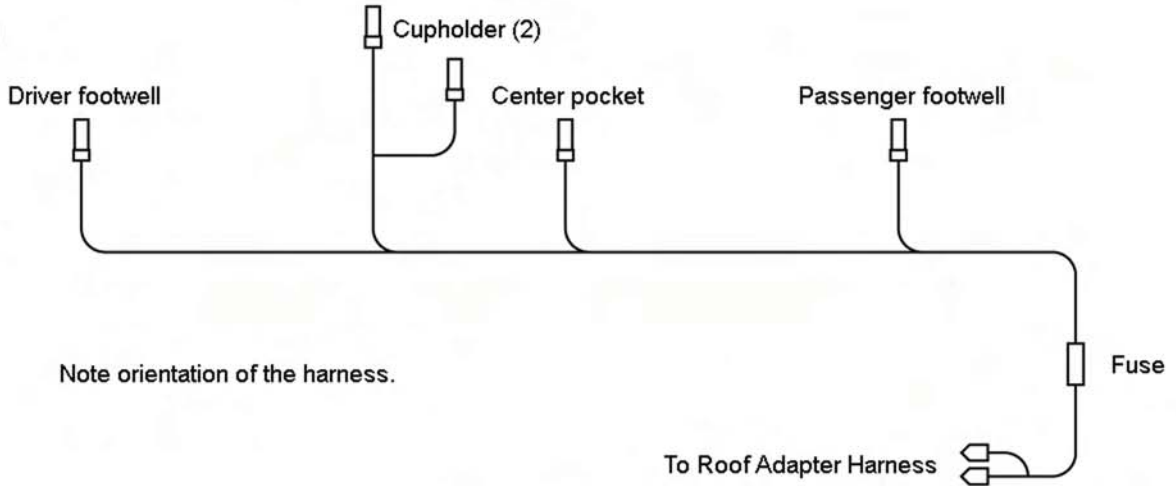
Remove the HVAC control panel (2 screws, and then pull straight out to disengage two clips).

18

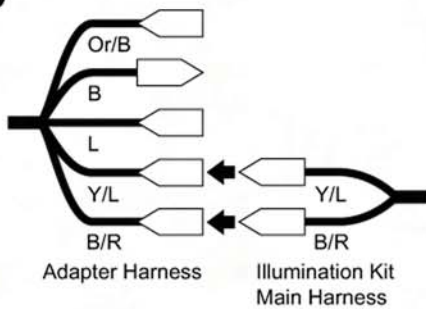


Look down on the area that the HVAC control panel was sitting on top of. If the vehicle has the entire top surface of this area covered with a silver insulation material, carefully cut and peel off a 40x40mm section, as indicated in the above illustration. Ensure that there is no insulation material left behind, and that the LED mounting hole is exposed.

19



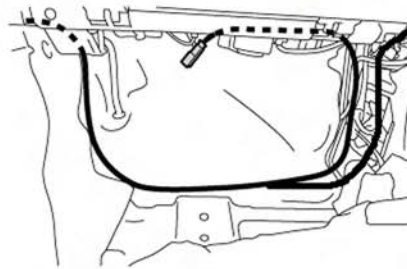
20



Connect illumination kit harness to the Roof Adapter Harness as shown.

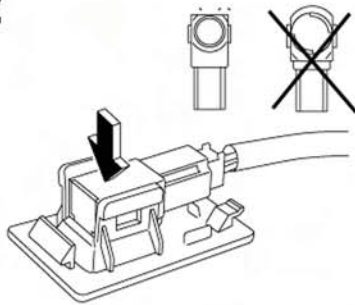
21

Passenger Footwell



Roughly route the harness so that the passenger footwell LED connector is through the LED mounting hole.

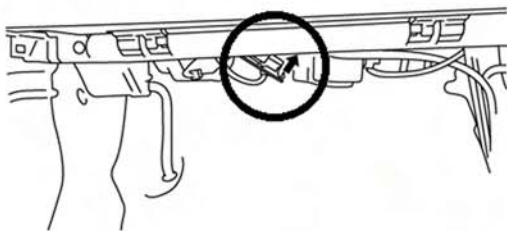
22



Connect pass. side LED lamp to the harness.

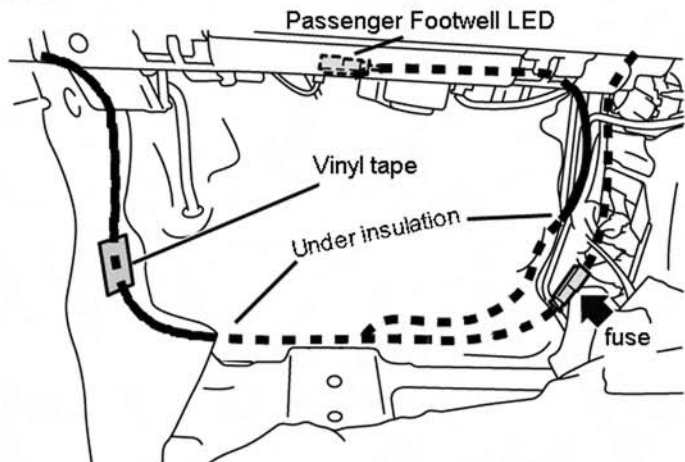
Snap the LED lamp into the lamp holder as shown.

Snap the LED lamp holder into the mounting hole on the underside of the glovebox.



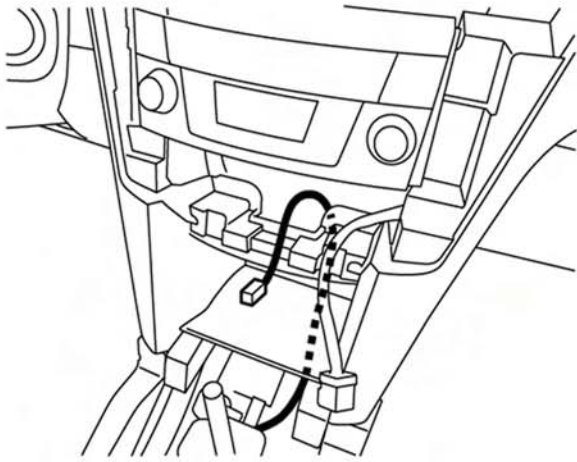
23

Passenger Footwell



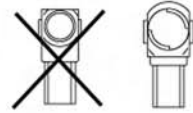
Route harness and place fuse as shown. Tuck indicated section of harness under the insulation mat. Pull all slack towards the driver side and use vinyl tape to secure harness to plastic duct.

24

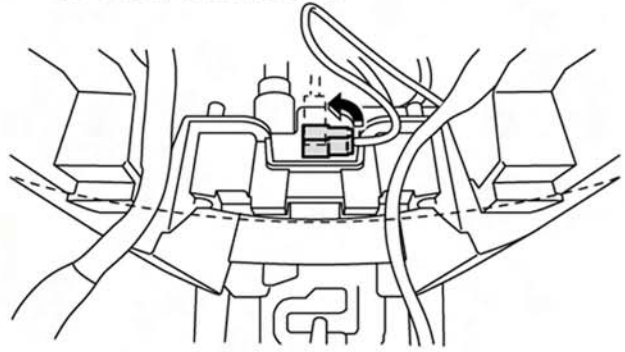


Route center pocket LED connector behind the center pocket as shown.

25

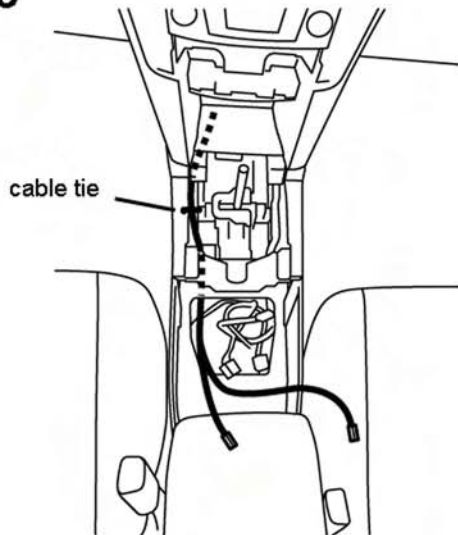


Connect the center pocket LED (does not look like the others) to the harness.



Place the LED in the mounting hole as shown above. Twist it 90 degrees counterclockwise into position.

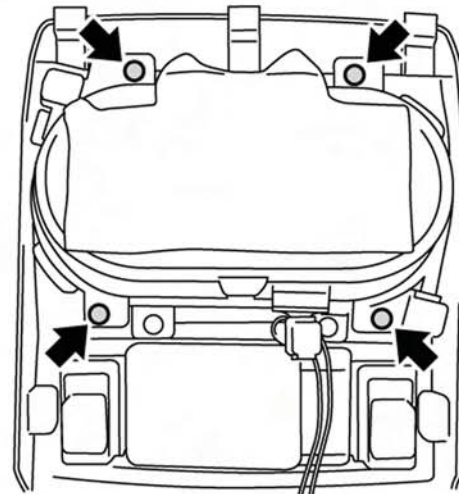
26



Route harness as shown. Secure harness to vehicle harness by left side of shifter mechanism with a cable tie.

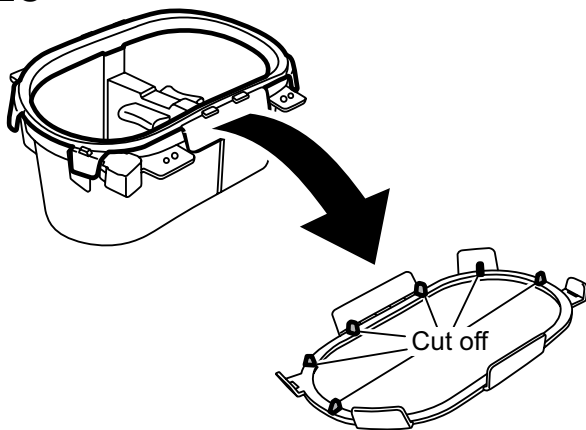
27

Underside of cupholder



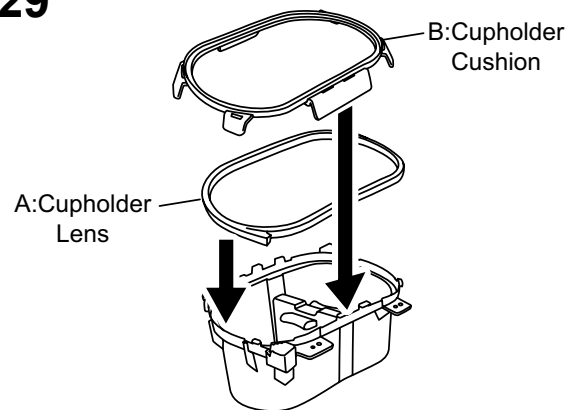
Remove cupholder from panel (4 screws).

28



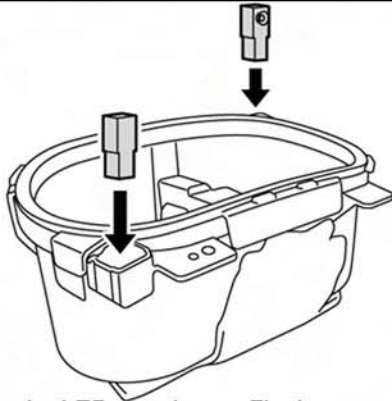
Remove cupholder cushion, and cut off the ribs of cupholder cushion.

29



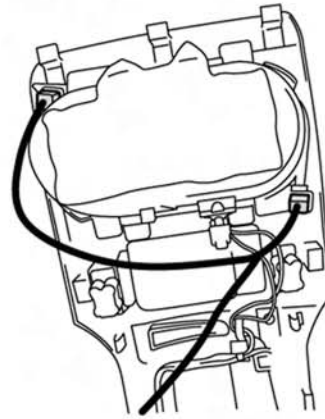
Install A and B to cupholder.

30



Orient the LEDs as shown. Firmly press them down into the cupholder until they snap into place. Reassemble cupholder to panel.

31

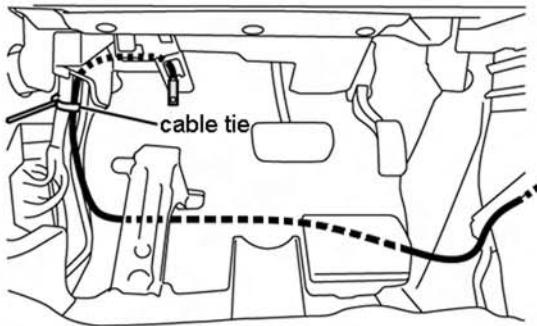


Route harness as shown. Connect harness to LEDs.

Reconnect any previously disconnected harnesses in this area (if applicable).

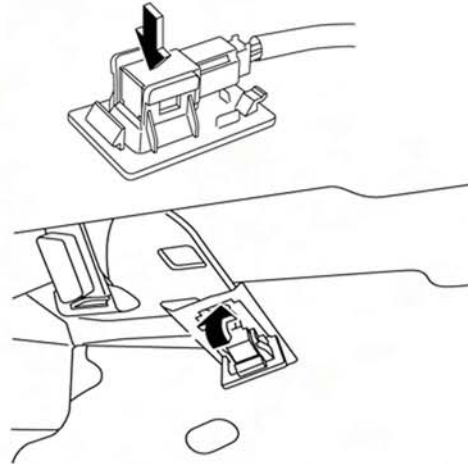
32

Driver side footwell



Loosely route the driver side footwell LED connector as shown. Be sure to route it underneath the insulation mat and footrest support structure. Use a cable tie to secure the harness as shown.

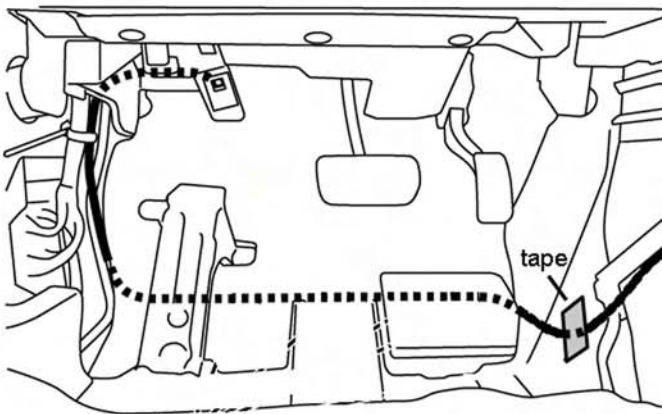
33



Connect LED to harness. Attach LED to LED holder. Attach LED holder to instrument panel cover as shown.

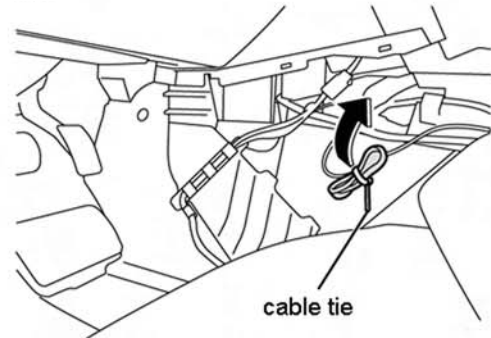
34

Driver side footwell



Route all harness slack towards the transmission tunnel. Secure harness to the plastic duct with vinyl tape as shown.

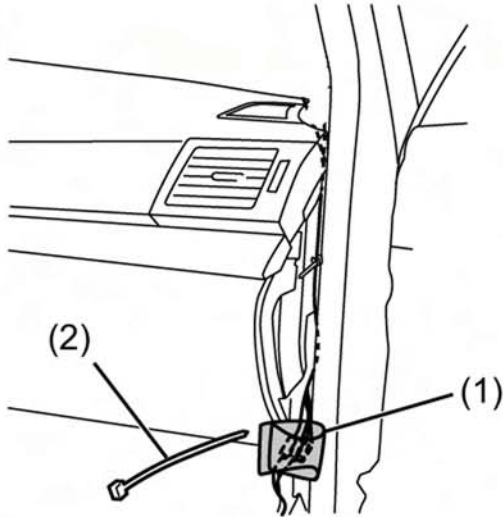
35



Bundle all excess harness with a cable tie as shown.

Place bundle inside the area as shown and secure to vehicle harness with a cable tie.

36



*** If the LED Side Sill Plate Kit (Part Number H1010AJ000, sold separately) also needs to be installed at this time, install this part now and come back to this step after that kit has been installed.***

Wrap connectors with foam tape and secure with a cable tie as shown.

Reinstall all interior trim pieces.

37



Reconnect negative terminal to battery.
Tighten with 10mm wrench.